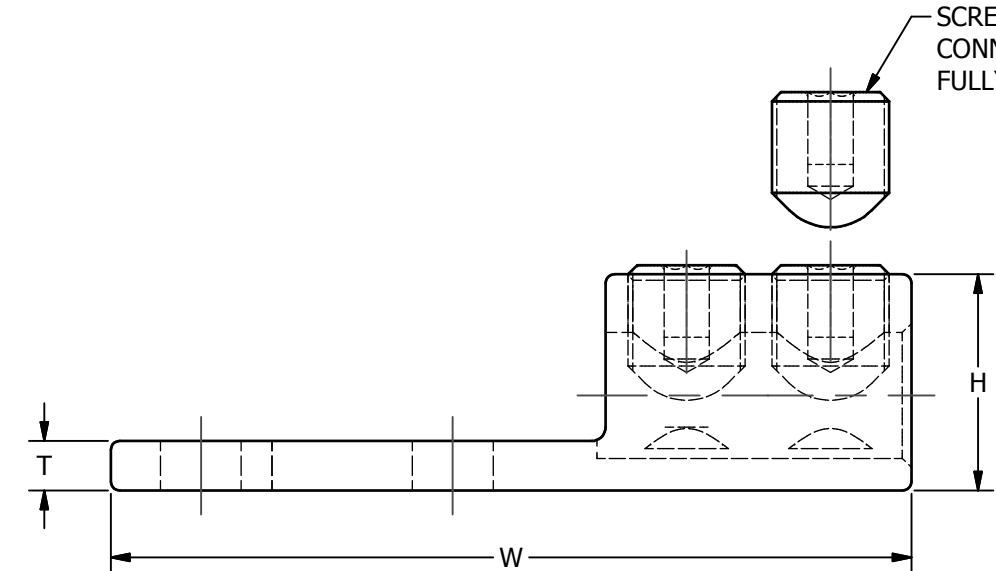
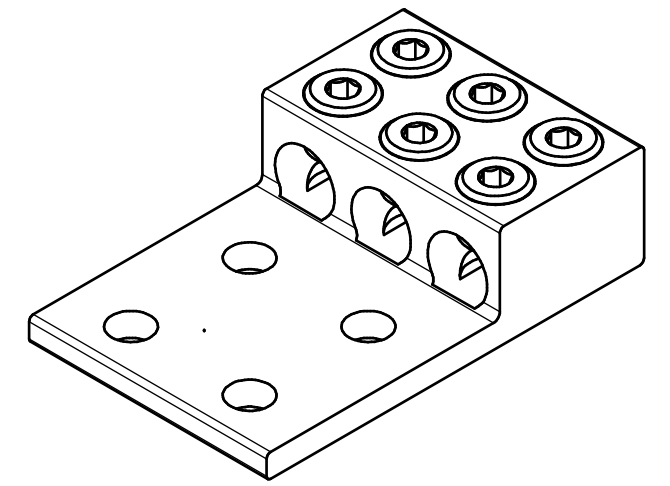
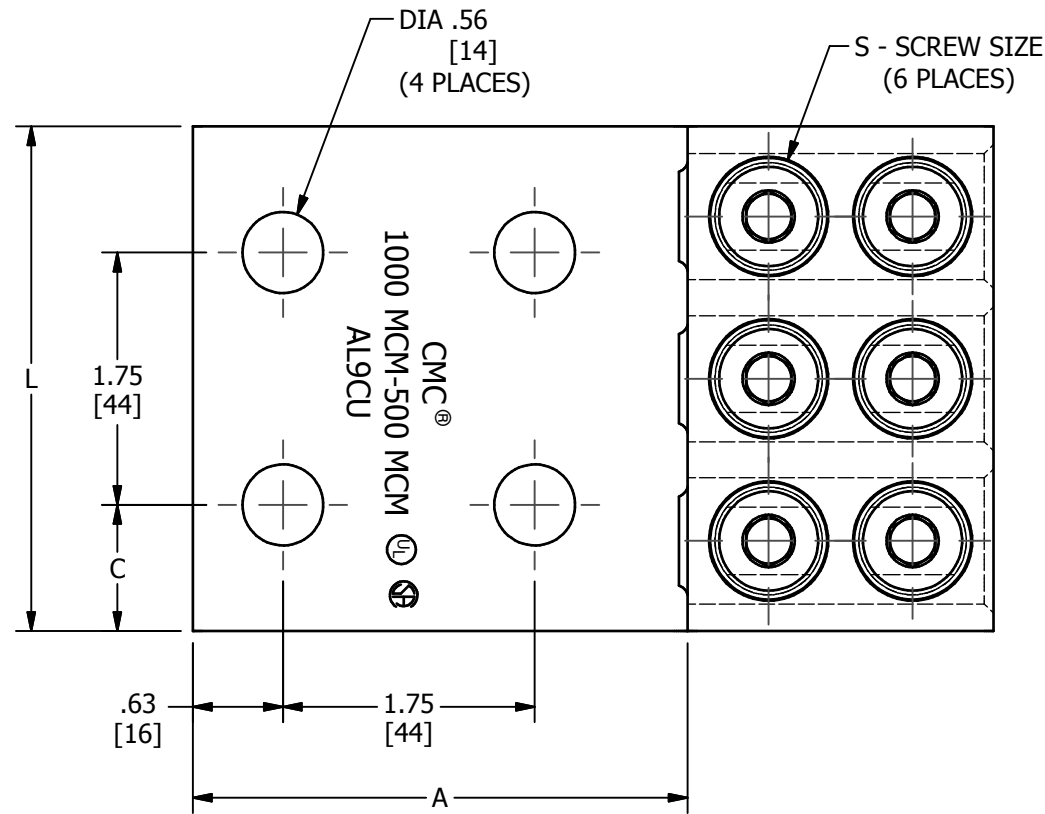


S.NO	CATALOG NUMBER	W	H	T	L	A	C	S	CONDUCTOR SIZE
1	L3D4-350	5.31 [135]	1.50 [38]	0.38 [10]	3.00 [76]	3.31 [84]	0.63 [16]	11/16-16	350 KCMIL TO 12
2	L3D4-350I	5.31 [135]	1.50 [38]	0.38 [10]	3.00 [76]	3.31 [84]	0.63 [16]	11/16-16	350 KCMIL TO 12
3	L3D4-500	5.56 [141]	1.50 [38]	0.34 [9]	3.50 [89]	3.44 [87]	0.88 [22]	13/16-16	500 KCMIL TO 10
4	L3D4-500I	5.56 [141]	1.50 [38]	0.34 [9]	3.50 [89]	3.44 [87]	0.88 [22]	13/16-16	500 KCMIL TO 10
5	L3D4-750	5.94 [151]	1.63 [41]	0.44 [11]	4.00 [102]	3.44 [87]	1.13 [29]	13/16-16	750 KCMIL TO 2
6	L3D4-750I	5.94 [151]	1.63 [41]	0.44 [11]	4.00 [102]	3.44 [87]	1.13 [29]	13/16-16	750 KCMIL TO 2
7	L3D4-1000	6.19 [157]	1.88 [48]	0.56 [14]	5.27 [134]	3.44 [87]	1.76 [45]	1-16	1000 MCM TO 500 MCM
8	L3D4-1000I	6.19 [157]	1.88 [48]	0.56 [14]	5.27 [134]	3.44 [87]	1.76 [45]	1-16	1000 MCM TO 500 MCM



FINISH: CLEAR PLATE
MATERIAL: ALUMINUM

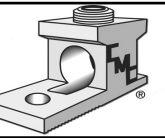
DUAL-RATED CONDUCTORS
(ALUMINUM OR COPPER)

				DRAWN BY: TS 09-19-19		NAME OF PART: TRANSFORMER CONNECTOR ASSEMBLY		CAT. NO.: SEE TABLE	
				CHECKED BY:		DWG NO: C58700105-S (CHARTED)		B	
A NEW DRAWING CREATED				09-19-19		TS		DRAWING NOT TO SCALE	
REV. DESCRIPTION				ECN		DATE		INIT.	
								SHEET NO: 1 OF 1	

THIS INFORMATION IS PROPRIETARY TO CONNECTOR MFG. CO. AND IS NOT TO BE DISCLOSED OUTSIDE OF CONNECTOR MFG. CO. WITHOUT A CONFIDENTIALITY AGREEMENT



CONNECTOR MANUFACTURING CO.



HAMILTON, OHIO